

420

2017

Spare parts

Ersatzteile

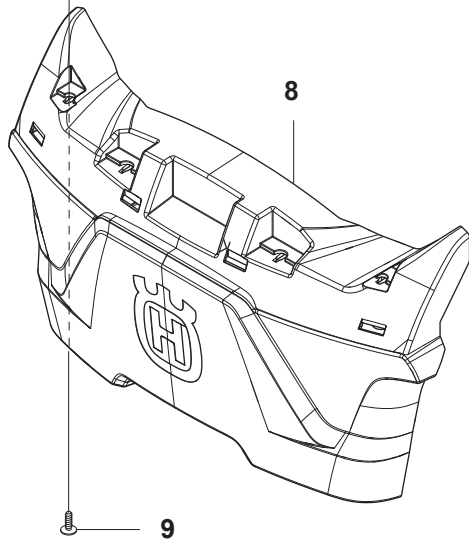
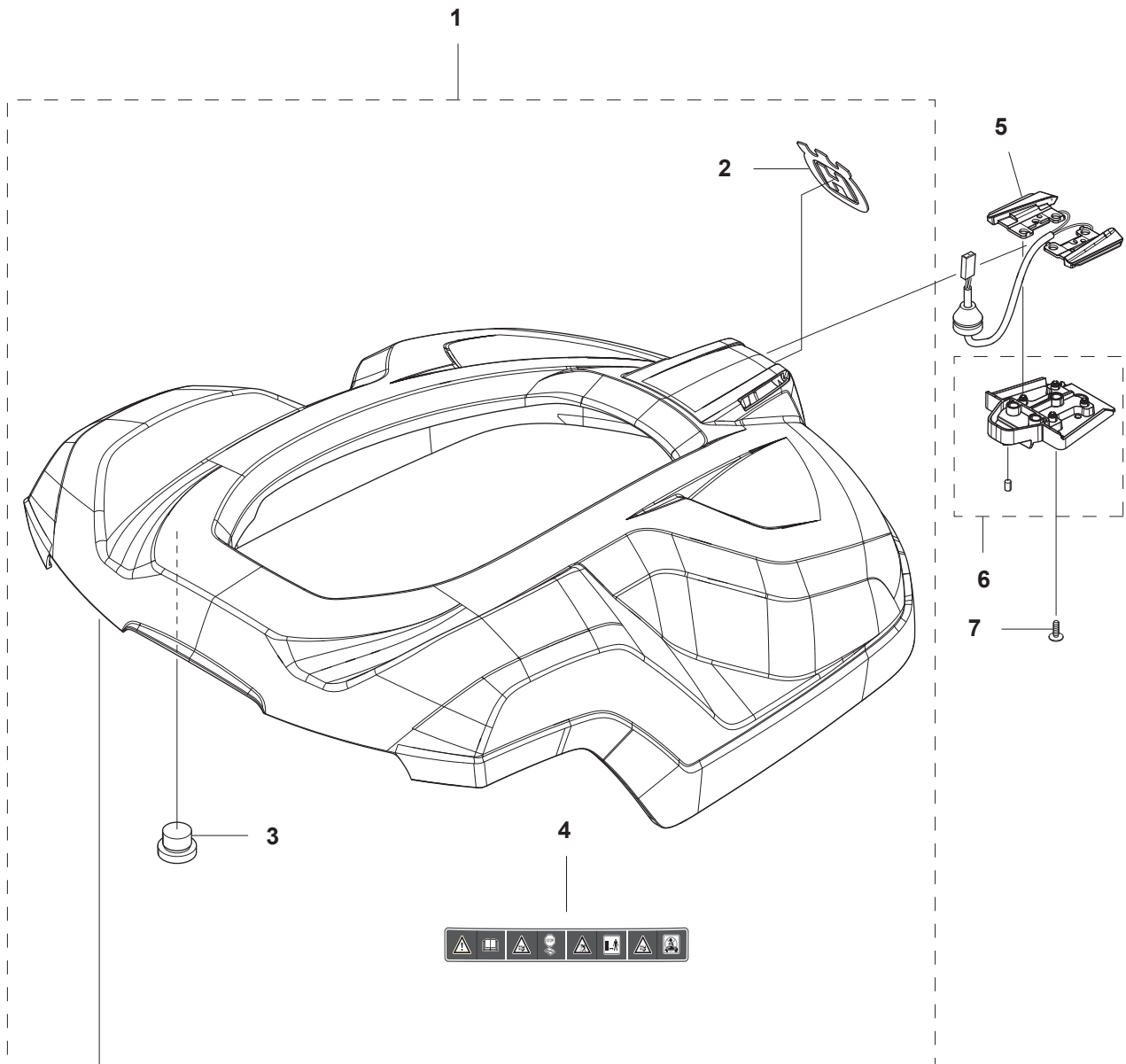
Pièces détachées

Reserve onderdelen

Repuestos

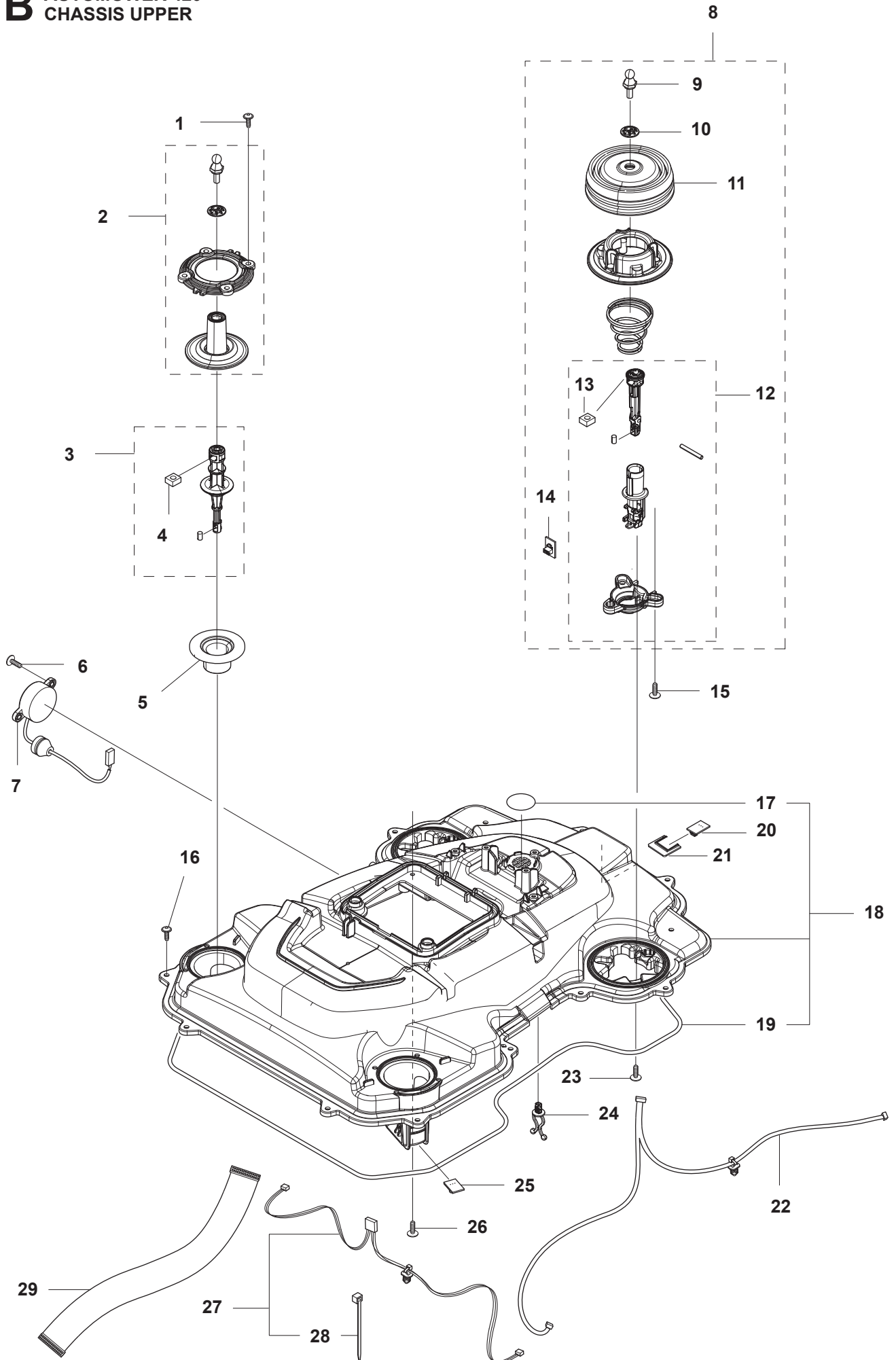
Reservdelar

A AUTOMOWER 420 COVER



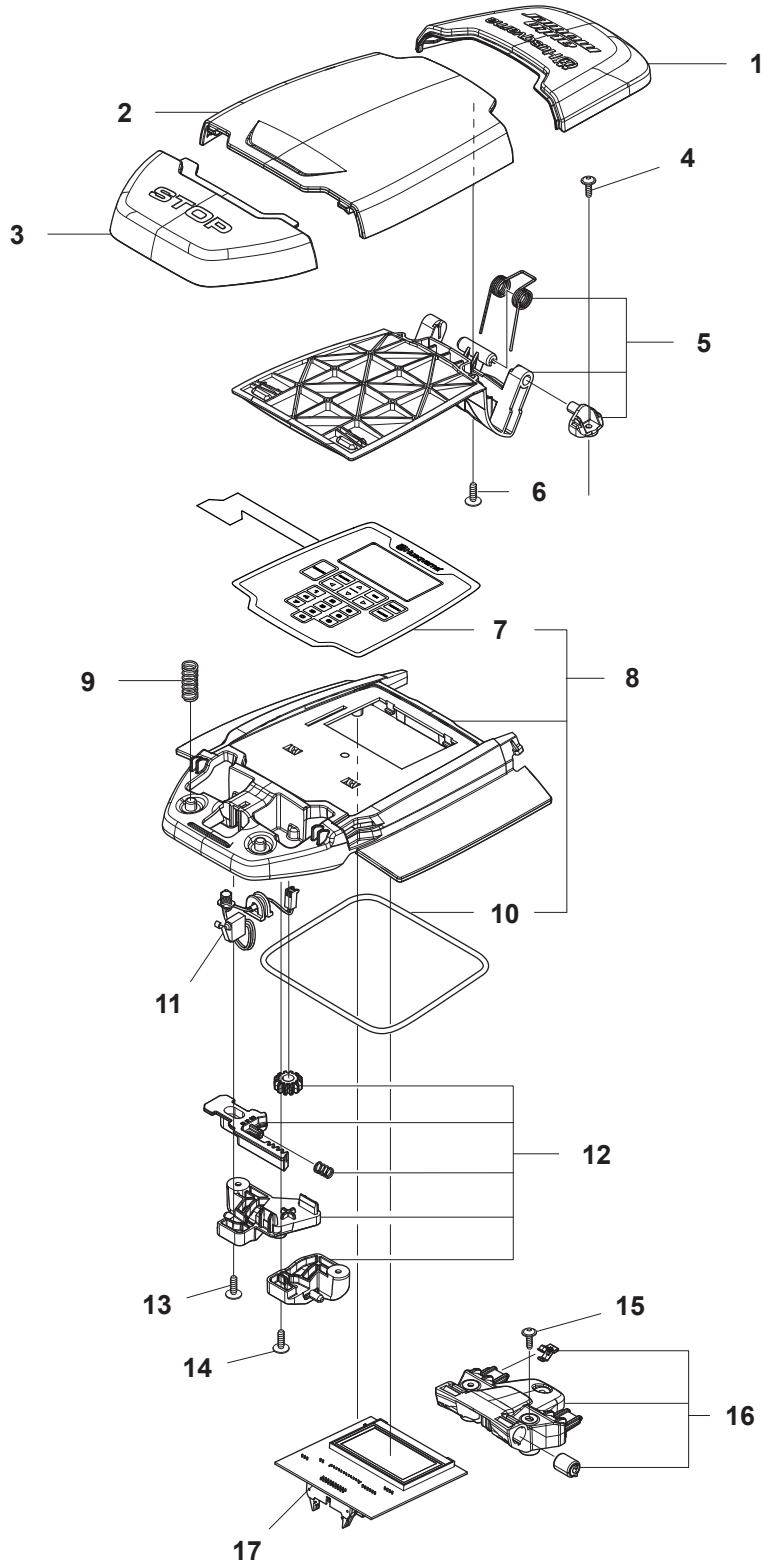
Position	Article	Quantity	Notes	Kit / Assy
1	581 62 04-03	1	Body KIT	
2	587 42 35-01	1	Decal	1
3	580 52 68-01	4	Cap	1
4	586 35 97-01	1	Label	1
5	585 53 92-02	1	Charging Plate Wiring	
6	501 06 56-01	1	Holder ASSY	
7	575 54 33-14	1	Screw	
8	579 51 98-02	1	Bumper	
9	574 45 01-01	4	Screw	

B AUTOMOWER 420 CHASSIS UPPER



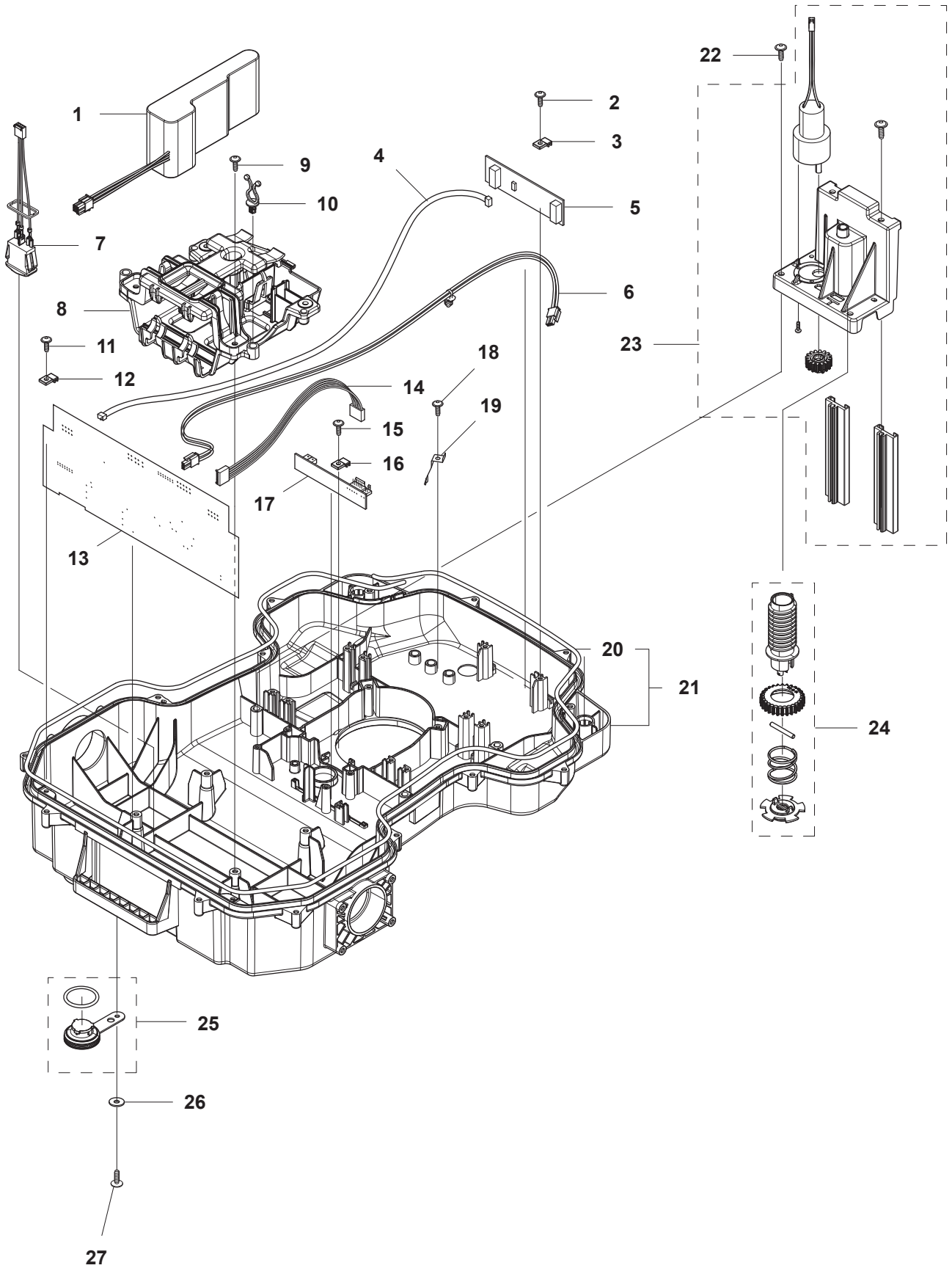
Position	Article	Quantity	Notes	Kit / Assy
1	574 45 01-01	8	Screw	
2	501 06 13-01	2	Joystick KIT Rear	
3	501 12 26-02	2	Column KIT	
4	503 22 66-01	2	Square Nut	3
5	535 14 32-01	2	Deflection Limiter	
6	575 54 33-14	2	Screw	
7	579 70 63-02	1	Buzzer	
8	581 62 09-03	2	Joystick KIT	
9	580 52 67-01	2	Stud	8
10	579 52 57-01	2	Washer	8
11	579 47 46-01	2	Bellows	8
12	587 44 88-02	2	Rod KIT	8
13	503 22 66-01	2	Square Nut	8,12
14	579 66 90-01	2	Printed Circuit ASSY	8
15	575 54 33-14	6	Screw	
16	574 45 01-01	14	Screw	
17	577 75 37-01	1	Air Filter KIT 10 pcs	
18	581 62 08-02	1	Chassis KIT	
19	574 87 47-05	1	Sealing Strip (1 pcs, Ø5 mm)	
20	579 66 91-01	1	Printed Circuit ASSY	
21	587 83 49-01	1	Clip	
22	581 66 09-01	1	Loom KIT	
23	574 45 01-01	6	Screw	
24	580 68 29-01	2	Holder	
25	579 66 91-01	1	Printed Circuit ASSY	
26	575 54 33-14	4	Screw	
27	581 62 11-01	1	Loom KIT	
28	900 23 87-08	2	Tie Wrap	27
29	579 70 62-01	1	Loom	

C AUTOMOWER 420
CENTER CONSOL



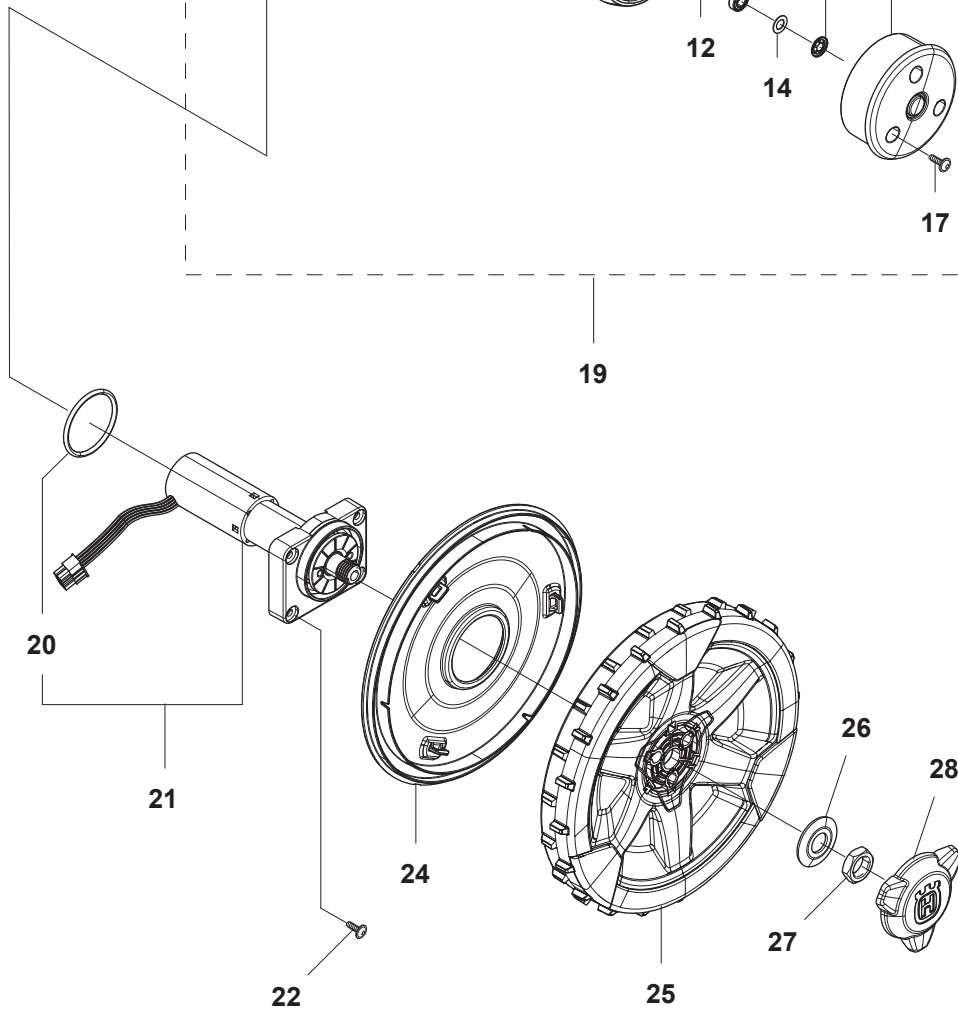
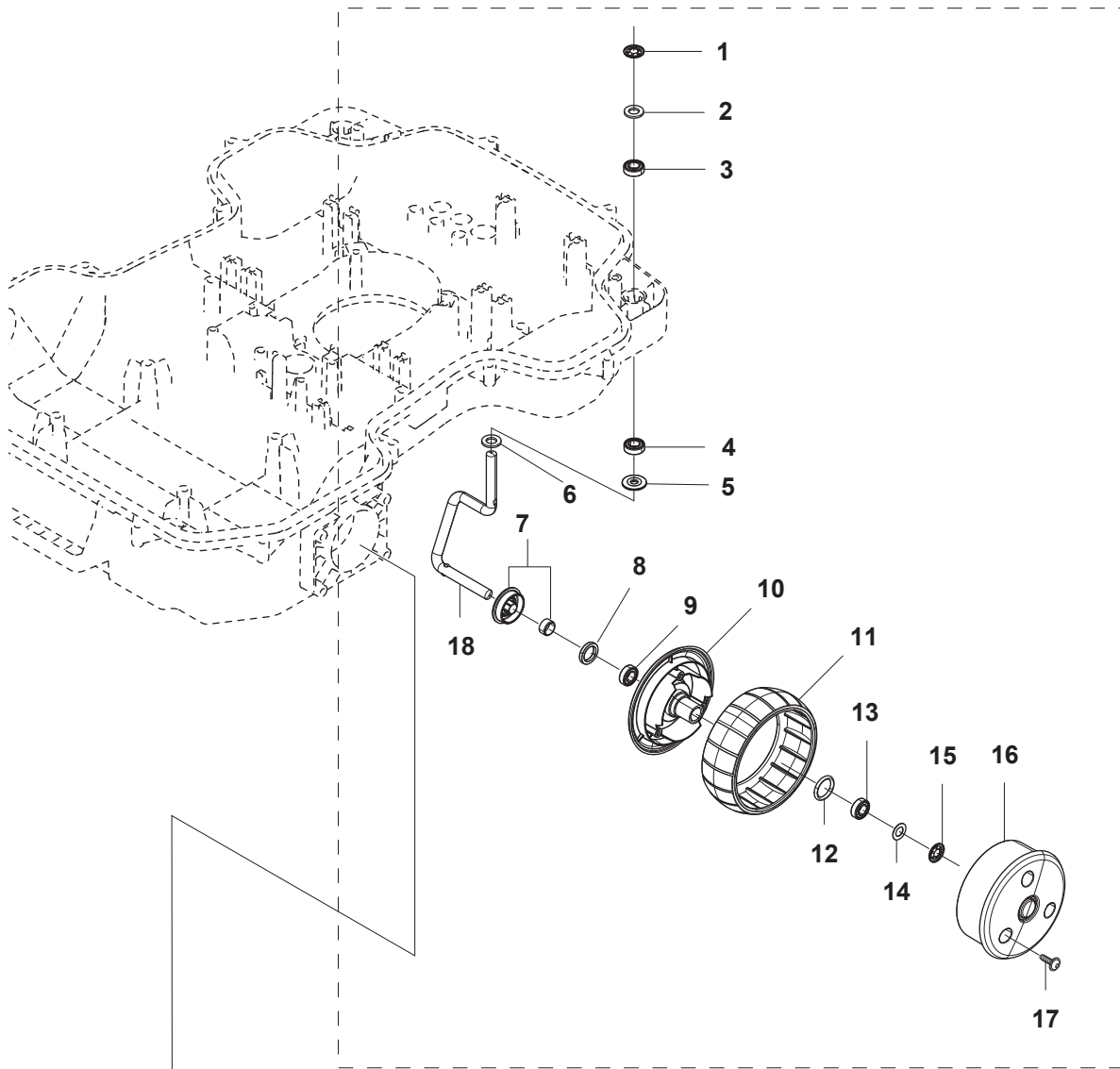
Position	Article	Quantity	Notes	Kit / Assy
1	588 79 75-01	1	Cover	
2	579 45 85-01	1	Hatch	
3	579 45 81-01	1	Button	
4	575 54 33-14	2	Screw	
5	501 06 58-01	1	Hinge KIT	
6	575 54 33-14	2	Screw	
7	579 62 79-01	1	Keyboard	8
8	581 62 06-01	1	Cover KIT	
9	535 13 01-01	2	Spring	
10	574 87 47-06	1	Sealing Strip (1 pcs, Ø5 mm)	
11	574 48 03-02	1	Switch	
12	501 06 60-01	1	Locking Plate KIT	
13	575 54 33-14	1	Screw	
14	575 54 33-14	1	Screw	
15	575 54 33-14	3	Screw	
16	581 62 07-01	1	Support KIT	
17	588 27 59-01	1	Printed Circuit ASSY	

D AUTOMOWER 420 CHASSIS LOWER



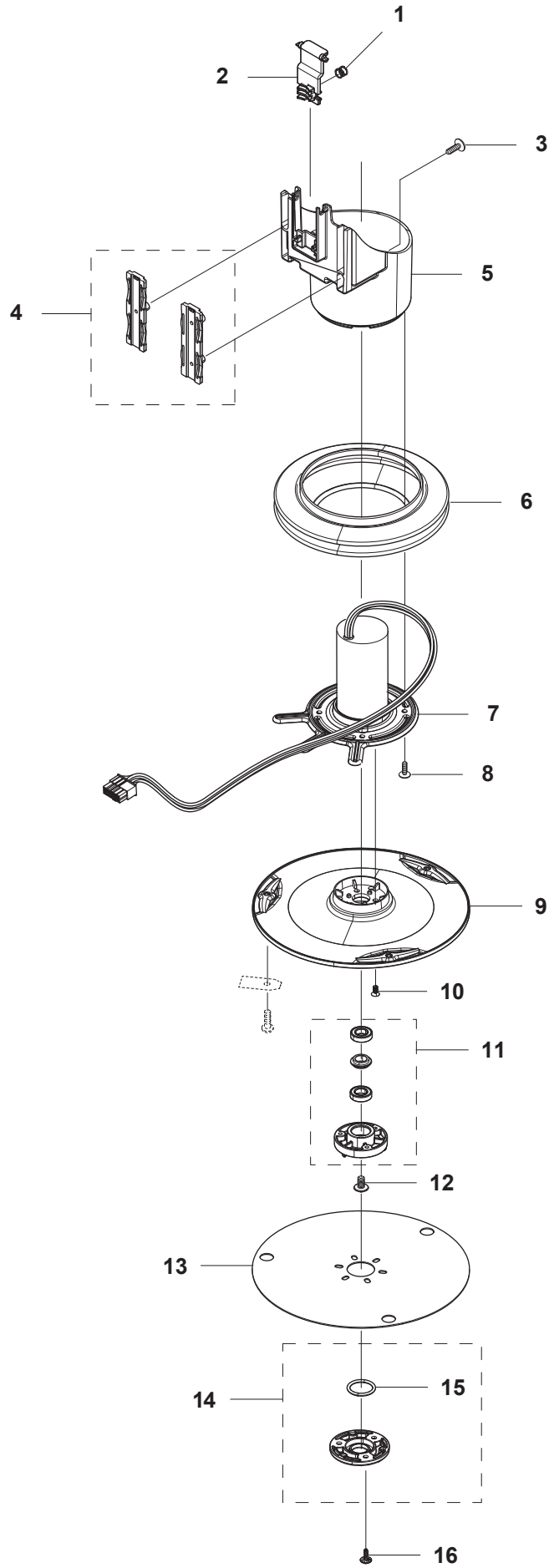
Position	Article	Quantity	Notes	Kit / Assy
1	580 68 33-01	1	Battery	
2	575 54 33-14	2	Screw	
3	579 52 94-01	2	Clamp	
4	579 70 82-01	1	Loom	
5	588 90 30-01	1	Printed Circuit ASSY	
6	580 37 07-02	1	Loom	
7	579 70 87-01	1	Switch, On Off	
8	580 60 96-01	1	Holder	
9	574 45 01-01	5	Screw	
10	580 68 29-01	7	Holder	
11	575 54 33-14	2	Screw	
12	579 52 94-01	2	Clamp	
13	586 81 35-03	1	Printed Circuit ASSY	
14	579 70 80-01	1	Loom	
15	575 54 33-14	1	Screw	
16	579 52 94-01	1	Clamp	
17	579 72 85-02	1	Printed Circuit ASSY	
18	575 54 33-14	2	Screw	
19	581 55 61-01	2	Spring	
20	574 87 47-05	1	Sealing Strip (1 pcs, Ø5 mm)	
21	581 62 17-01	1	Chassis KIT	
22	575 54 33-14	4	Screw	
23	501 06 83-01	1	Motor ASSY	
24	581 62 16-01	1	Screw KIT	
25	581 62 12-02	1	Plug KIT	
26	734 11 37-41	1	Washer	
27	574 45 01-01	1	Screw	

E AUTOMOWER 420 WHEELS & TIRES



Position	Article	Quantity	Notes	Kit / Assy
1	576 01 93-02	2	Lock Washer	19
2	580 76 46-01	2	Washer	19
3	580 60 51-01	2	Ball Bearing	19
4	580 60 51-01	2	Ball Bearing	19
5	535 08 78-03	2	Washer	19
6	580 76 46-01	2	Washer	19
7	581 62 15-01	2	Sheild KIT	19
8	580 48 71-01	2	Sealing	19
9	580 60 51-01	2	Ball Bearing	19
10	579 45 71-01	2	Wheel Inside	19
11	574 44 98-01	2	Tire	19
12	580 44 51-01	2	O-ring	19
13	580 60 51-01	2	Ball Bearing	19
14	580 76 46-01	2	Washer	19
15	576 01 93-02	2	Lock Washer	19
16	579 45 72-01	2	Wheel Outside	19
17	575 54 33-14	6	Screw	19
18	580 33 61-01	2	Spindle	19
19	581 62 14-01	2	Front Wheel KIT	
20	580 44 39-02	2	O-ring	21
21	581 62 13-02	2	Wheel Motor ASSY	
22	574 45 01-01	8	Screw	
24	582 27 60-01	2	Cover	
25	582 27 25-01	2	Rear Wheel	
26	586 21 06-01	2	Spring Washer	
27	731 43 24-01	2	Thin Nut	
28	579 50 55-02	2	Hub Cap	

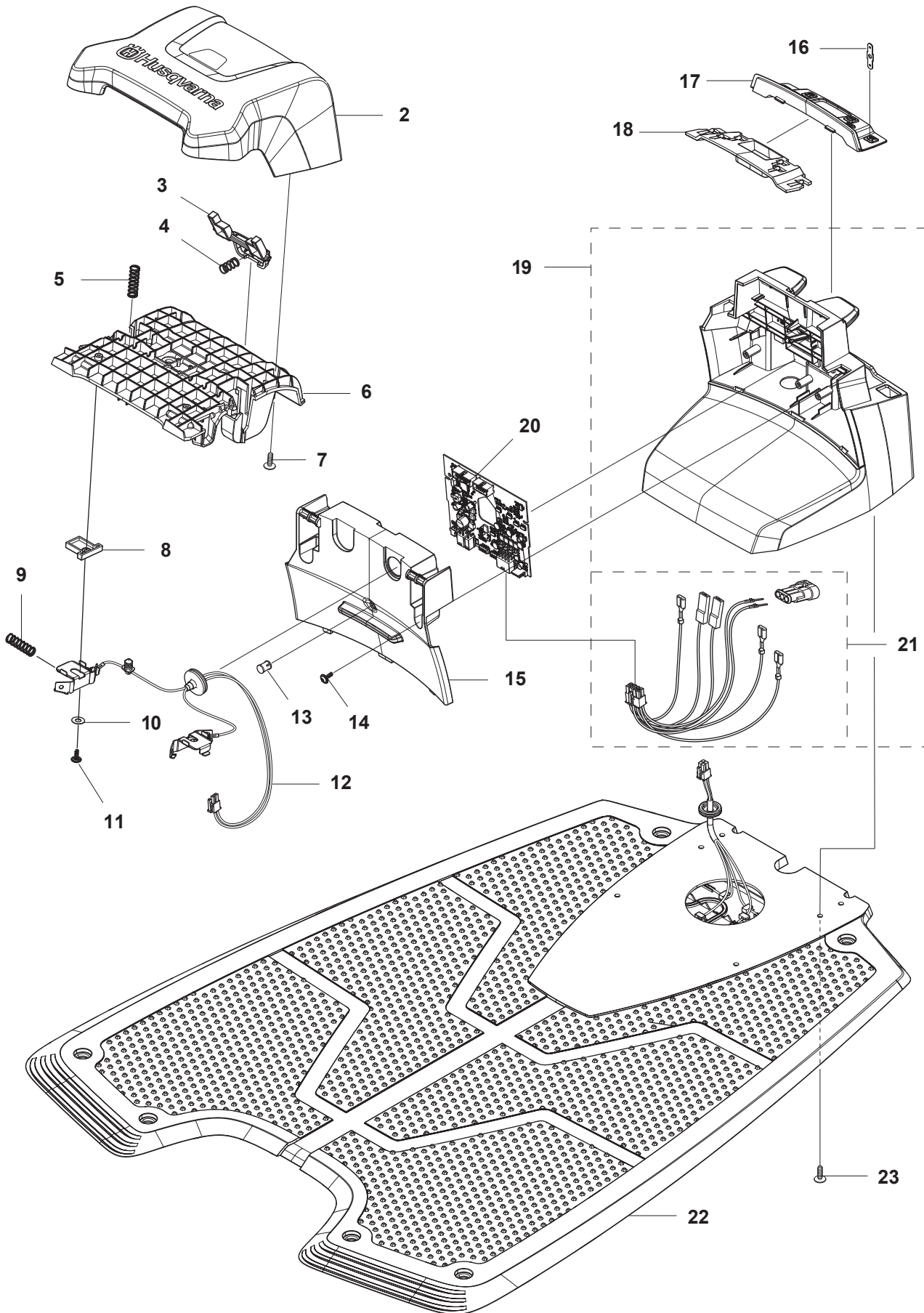
F AUTOMOWER 420
BLADE MOTOR & CUTTING EQUIPMENT



Position	Article	Quantity	Notes	Kit / Assy
1	580 62 44-01	1	Spring	
2	579 56 46-01	1	Link	
3	575 54 33-14	3	Screw	
4	581 62 18-01	1	Bearing KIT	
5	579 56 45-01	1	Housing	
6	579 66 64-03	1	Bellows	
7	587 38 14-01	1	Cutting Motor ASSY	
8	575 54 33-14	4	Screw	
9	587 37 81-01	1	Cutting Disc	
10	535 13 05-02	3	Screw	
11	588 42 17-01	1	Bearing Housing ASSY	
12	535 07 60-01	1	Screw	
13	587 37 80-01	1	Skid Plate	
14	587 44 96-01	1	Bearing Cover ASSY	
15	585 29 75-01	1	O-Ring	14
16	575 54 33-14	3	Screw	

G AUTOMOWER 420
CHARGING STATION

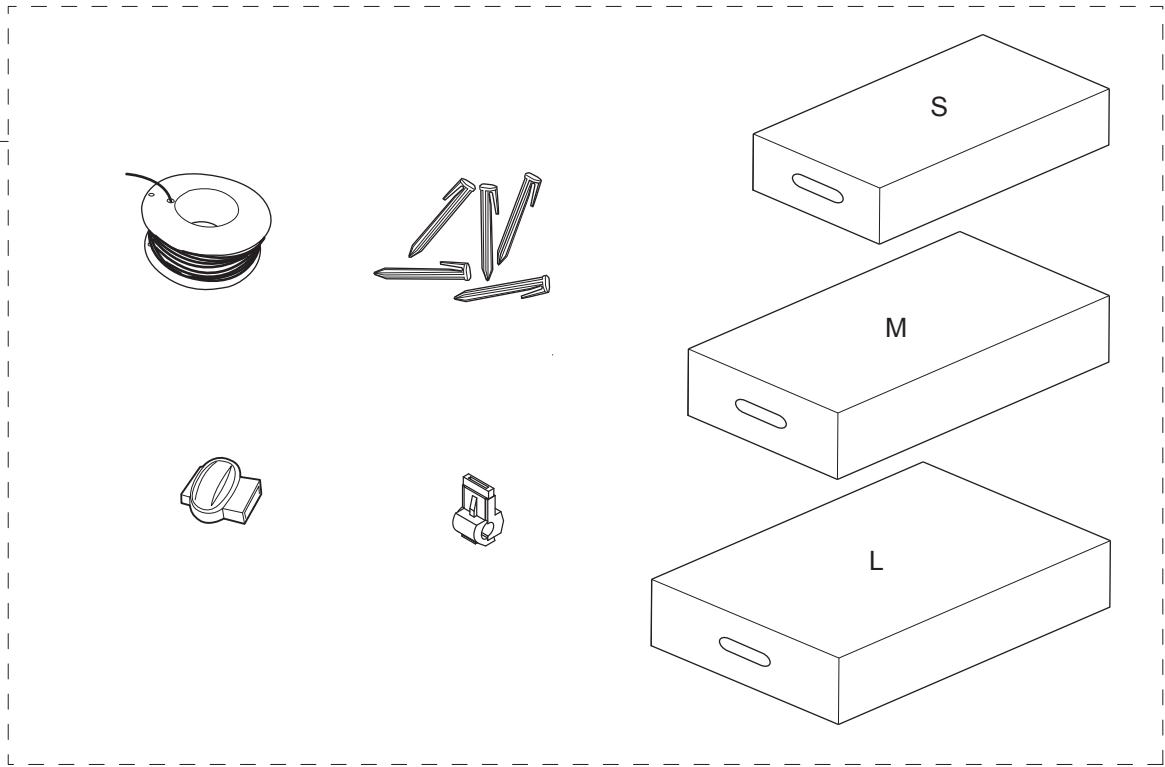
1



Position	Article	Quantity	Notes	Kit / Assy
1	580 76 55-05	1	Charging Station	
2	579 44 82-03	1	Cap	1
3	579 46 24-02	1	Button	1
4	574 48 70-01	1	Spring	1
5	580 51 14-01	2	Spring	1
6	579 45 80-04	1	Frame	1
7	575 54 33-14	4	Screw	1
8	579 46 05-01	2	Distance	1
9	580 51 14-01	2	Spring	1
10	734 11 37-41	2	Washer	1
11	575 54 33-14	2	Screw	1
12	585 53 95-02	1	Loom Charging Contact	1
13	535 12 87-02	1	Lens	1
14	575 54 33-14	2	Screw	1
15	579 45 97-04	1	Lid	1
16	580 50 41-01	3	Terminal	1
17	579 45 98-01	1	Panel	1
18	579 45 99-01	1	Holder	1
19	588 18 88-01	1	Housing KIT	1
20	589 50 78-01	1	PCBA Charging Station	1
21	588 47 89-01	1	Wiring CS	1,19
22	575 23 16-02	1	Charging Plate	1
23	575 54 33-14	4	Screw	1

H AUTOMOWER 420 INSTALLATION ACCESSORIES

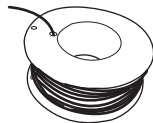
1



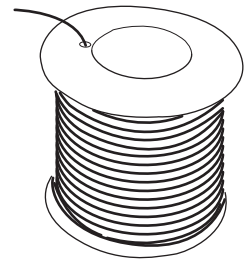
2



3



5



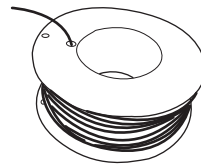
8



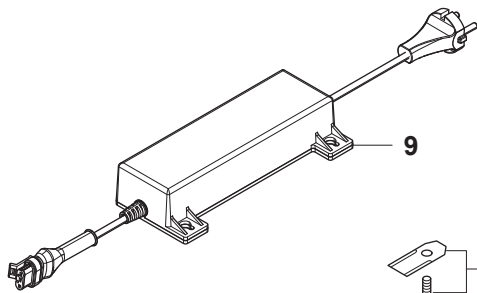
4



6



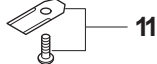
7



9



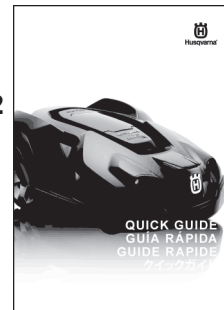
10



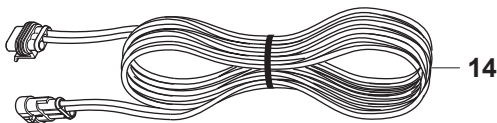
11



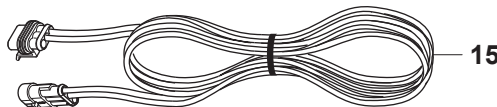
12



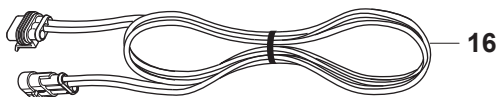
13



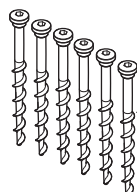
14



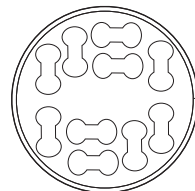
15



16



17



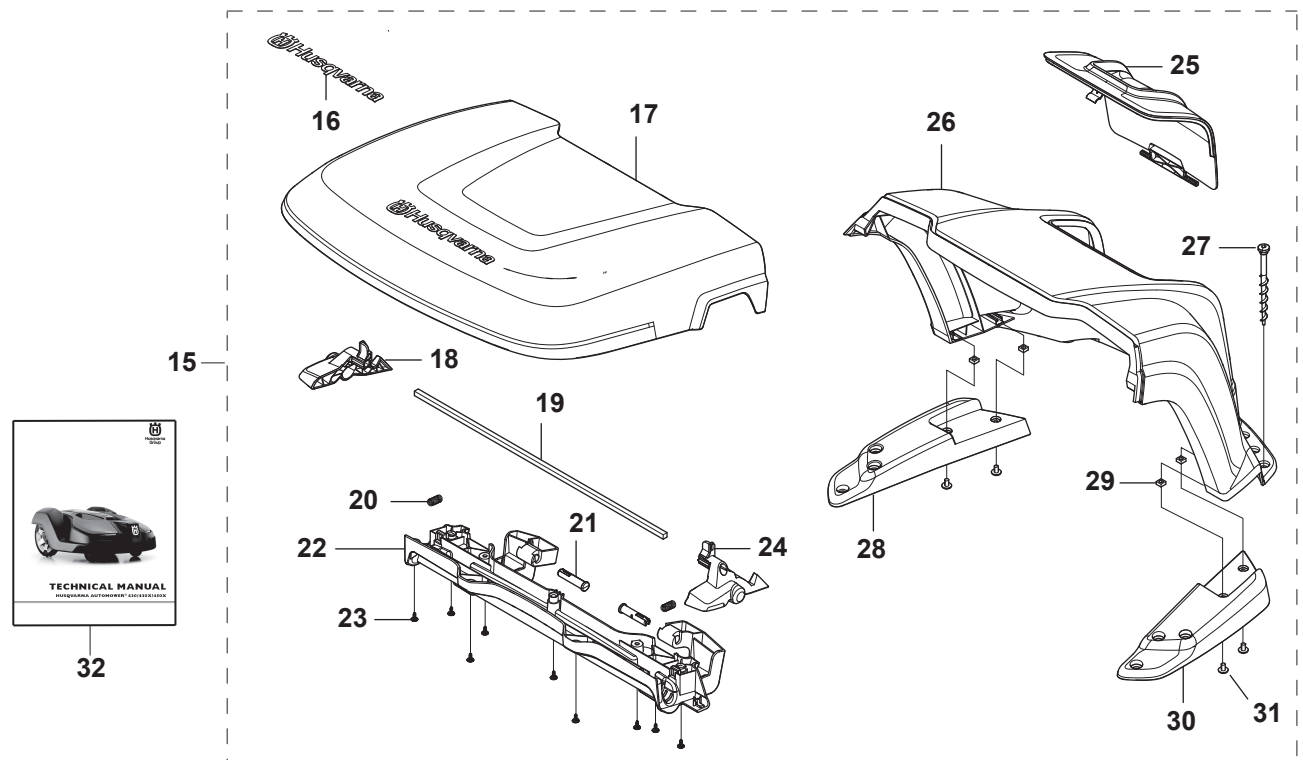
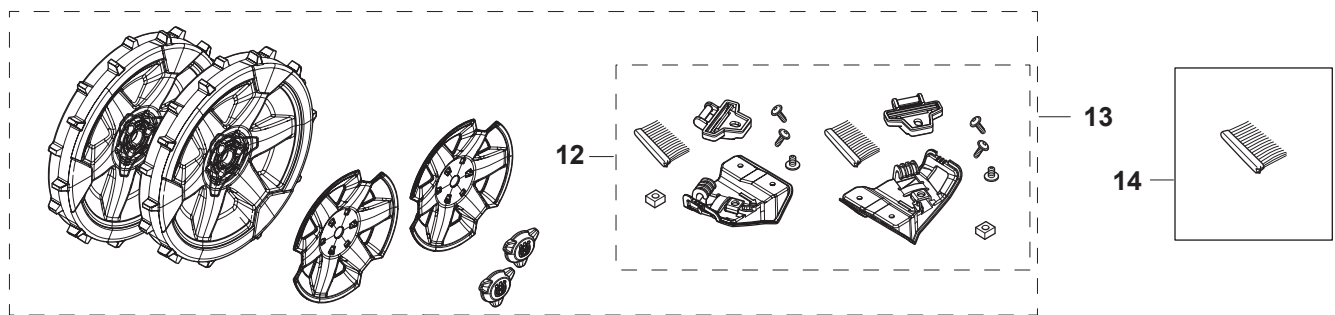
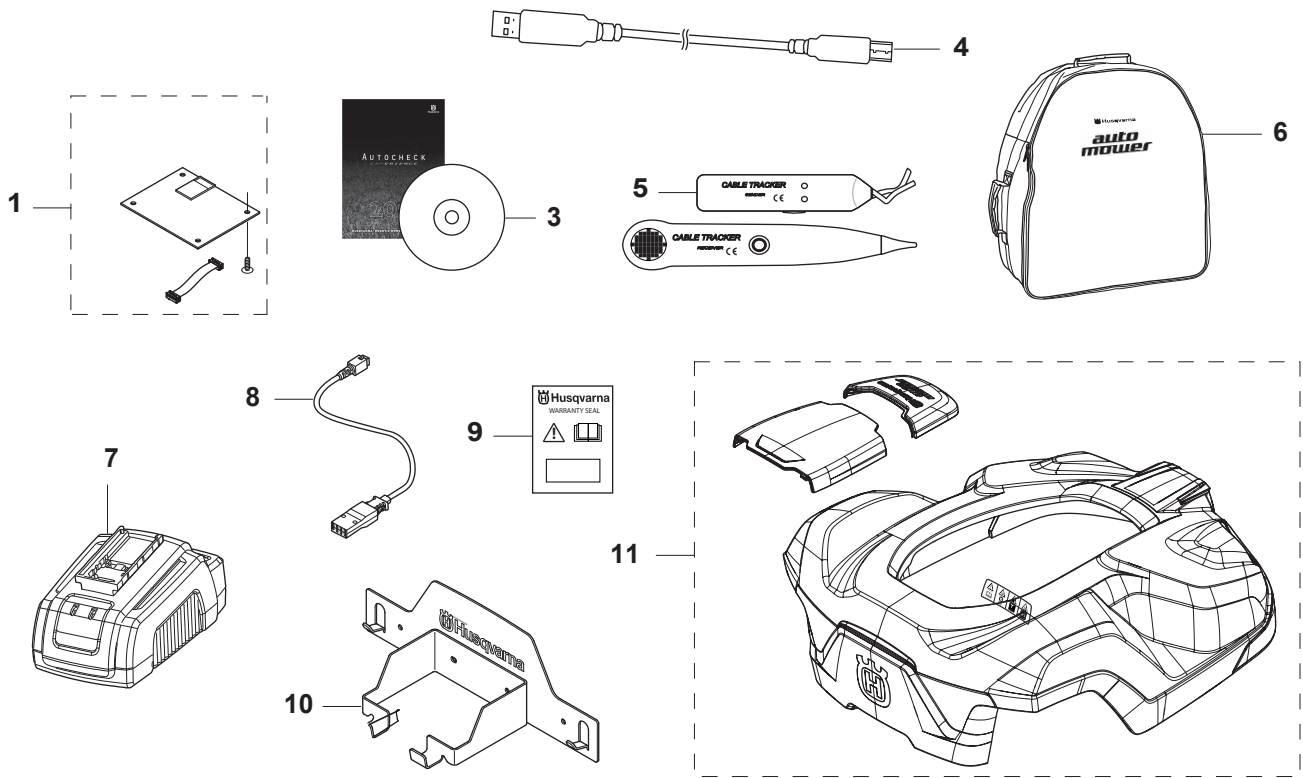
18



19

Position	Article	Quantity	Notes	Kit / Assy
1	967 62 36-01	1	Installation KIT S: Wire (150 m), Staples (300 pcs), Connectors (3 pcs), Couplers (5 pcs)	
1	967 62 36-02	1	Installation KIT M: Wire (250 m), Staples (400 pcs), Connectors (3 pcs), Couplers (5 pcs)	
1	967 62 36-03	1	Installation KIT L: Wire (400 m), Staples (600 pcs), Connectors (5 pcs), Couplers (5 pcs)	
2	535 12 90-01	1	Loop Wire Connector	
2	577 86 48-01	1	Loop Wire Connectors, Blister Pack, 5pcs	
3	501 98 02-01	1	Coupler	
3	577 86 47-01	1	Couplers, Blister Pack, 5 pcs	
3	501 98 02-03	1	Couplers, 100 pcs	
4	577 86 42-01	1	Staples, 85 mm, Blister Pack, 100 pcs	
4	583 97 34-01	1	Staples, 85 mm, 100 pcs	
5	580 66 20-02	1	Wire (150 m)	
5	577 86 43-02	1	Wire Blister Pack, (50 m)	
5	577 86 43-01	1	Wire Blister Pack, (150 m)	
6	580 66 20-01	1	Wire (250 m)	
7	522 91 41-01	1	Wire (500 m, Ø3.4 mm)	
8	580 66 20-04	1	Wire (800 m)	
9	586 75 53-01	1	Transformer (EU)	
9	586 75 53-02	1	Transformer (UK/IRL)	
9	586 75 53-03	1	Transformer (CH)	
9	586 75 53-04	1	Transformer (US/CA)	
9	586 75 53-05	1	Transformer (AU/NZ)	
10	544 17 75-01	1	Measuring Tape	
11	577 86 46-03	1	Long Life Safety Blades, Blister Pack, 9 pcs	
11	577 60 65-05	1	Long Life Safety Blades, 45 pcs	
11	577 60 66-04	1	Long Life Safety Blades, 300 pcs	
12	115 87 58-01	1	Operator's Manual, Swedish	
12	115 87 58-06	1	Operator's Manual, Danish	
12	115 87 58-11	1	Operator's Manual, Finnish	
12	115 87 58-21	1	Operator's Manual, Norwegian	
12	115 87 58-26	1	Operator's Manual, English	
12	115 87 58-31	1	Operator's Manual, French	
12	115 87 58-32	1	Operator's Manual, French (Canada)	
12	115 87 58-36	1	Operator's Manual, Dutch	
12	115 87 58-41	1	Operator's Manual, Italian	
12	115 87 58-46	1	Operator's Manual, Spanish	
12	115 87 58-51	1	Operator's Manual, German	
12	115 87 58-56	1	Operator's Manual, Russian	
12	115 87 58-58	1	Operator's Manual, Hungarian	
12	115 87 58-59	1	Operator's Manual, Portuguese	
12	115 87 58-61	1	Operator's Manual, Polish	
12	115 87 58-62	1	Operator's Manual, Romanian	
12	115 87 58-63	1	Operator's Manual, Estonian	
12	115 87 58-64	1	Operator's Manual, Latvian	
12	115 87 58-65	1	Operator's Manual, Lithuanian	
12	115 87 58-68	1	Operator's Manual, Slovakian	
12	115 87 58-71	1	Operator's Manual, Greek	
12	115 87 58-76	1	Operator's Manual, Turkish	
12	115 87 58-81	1	Operator's Manual, Croatian	
12	115 87 58-84	1	Operator's Manual, Slovenian	
12	115 87 58-90	1	Operator's Manual, Czech	
12	115 87 58-95	1	Operator's Manual, English: EPA, CARB	
12	115 87 58-96	1	Operator's Manual, Spanish (US)	
13	115 84 51-10	1	Quick Guide, Swedish, Danish, Norwegian, Finnish	
13	115 84 51-20	1	Quick Guide, German, French, Dutch, Slovenian	
13	115 84 51-30	1	Quick Guide, Spanish, Portuguese, Italian, English	
13	115 84 51-38	1	Quick Guide, English, Spanish, French, Japanese (incl. US/CA)	
13	115 84 51-39	1	Quick Guide, German, French, Italian, English	
13	115 84 51-40	1	Quick Guide, Russian, Estonian, Latvian, Lithuanian	
13	115 84 51-50	1	Quick Guide, Czech, Slovak, Polish, Hungarian	
13	115 84 51-93	1	Quick Guide, Croatian, Turkish, Romanian, Greek	
14	579 82 51-01	1	Low Voltage Cable 20 meter	
15	579 82 51-02	1	Low Volt Cabel 10 meter	
16	579 82 51-03	1	Low Volt Cabel 3 meter	
17	575 23 86-01	1	Screw KIT, 6 pcs	
17	577 86 49-01	1	Screw KIT, Blister Pack, 3 pcs	
18	586 27 79-01	1	Sticker Cable Markers, 10 pcs	
19	579 57 12-01	1	Label Alarm	

AUTOMOWER 420 ACCESSORIES



Position	Article	Quantity	Notes	Kit / Assy
1	586 66 23-04	1	Automower Connect KIT - All markets except. JP	
3	577 85 81-03	1	DVD Autocheck EXP	
4	577 51 81-02	1	Service Cable (USB)	
5	577 60 68-01	1	Interruption Detector	
6	522 91 67-01	1	Bag	
7	588 40 84-01	1	Quick Charger with Battery Test	
8	588 20 26-01	1	Cable Quick Charger	
9	580 68 95-02	1	Warranty Seal 1pcs	
10	585 01 97-02	1	Wall Hanger	
11	580 96 56-02	1	Body KIT White	
12	581 90 31-02		Brush KIT incl. Brush, 6 pcs	13
13	581 88 97-02	1	Rear Wheel KIT incl. Brush KIT	
14	581 98 20-02	1	Brush, 6 pcs	12,13
15	585 01 94-01	1	House KIT	
16	577 46 90-01	1	Decal	15
17	586 88 58-01	1	Cover Lid	15
18	585 32 40-02	1	Handle Left	15
19	585 32 41-01	1	Steel Rod	15
20	580 51 14-01	2	Spring	15
21	585 34 15-01	2	Hinge Pin	15
22	585 34 16-01	1	Beam	15
23	575 54 33-14	9	Screw	15
24	585 32 40-01	1	Handle Right	15
25	585 32 36-01	1	Hatch	15
26	585 32 34-01	1	Cover Base	15
27	575 23 86-01	1	Screw KIT, 6 pcs	15
28	585 32 38-02	1	Support Base Left	15
29	503 22 66-01	4	Square Nut	15
30	585 32 38-01	1	Support Base Right	15
31	535 12 93-03	4	Screw	15
32	115 81 90-01	1	Technical Handbook -420, 430X, 450X Swedish	
32	115 81 90-06	1	Technical Handbook -420, 430X, 450X Danish	
32	115 81 90-11	1	Technical Handbook -420, 430X, 450X Finnish	
32	115 81 90-21	1	Technical Handbook -420, 430X, 450X Norwegian	
32	115 81 90-26	1	Technical Handbook -420, 430X, 450X English	
32	115 81 90-31	1	Technical Handbook -420, 430X, 450X French	
32	115 81 90-36	1	Technical Handbook -420, 430X, 450X Dutch	
32	115 81 90-41	1	Technical Handbook -420, 430X, 450X Italian	
32	115 81 90-46	1	Technical Handbook -420, 430X, 450X Spanish	
32	115 81 90-51	1	Technical Handbook -420, 430X, 450X German	
32	115 81 90-56	1	Technical Handbook -420, 430X, 450X Russian	
32	115 81 90-58	1	Technical Handbook -420, 430X, 450X Hungarian	
32	115 81 90-59	1	Technical Handbook -420, 430X, 450X Portuguese	
32	115 81 90-61	1	Technical Handbook -420, 430X, 450X Polish	
32	115 81 90-62	1	Technical Handbook -420, 430X, 450X Romanian	
32	115 81 90-63	1	Technical Handbook -420, 430X, 450X Estonian	
32	115 81 90-64	1	Technical Handbook -420, 430X, 450X Latvian	
32	115 81 90-65	1	Technical Handbook -420, 430X, 450X Lithuanian	
32	115 81 90-68	1	Technical Handbook -420, 430X, 450X Slovakian	
32	115 81 90-71	1	Technical Handbook -420, 430X, 450X Greek	
32	115 81 90-76	1	Technical Handbook -420, 430X, 450X Turkish	
32	115 81 90-79	1	Technical Handbook -420, 430X, 450X Japanese	
32	115 81 90-81	1	Technical Handbook -420, 430X, 450X Croatian	
32	115 81 90-84	1	Technical Handbook -420, 430X, 450X Slovenian	
32	115 81 90-90	1	Technical Handbook -420, 430X, 450X Czech	
32	115 81 90-96	1	Technical Handbook -420, 430X, 450X Spanish (USA)	